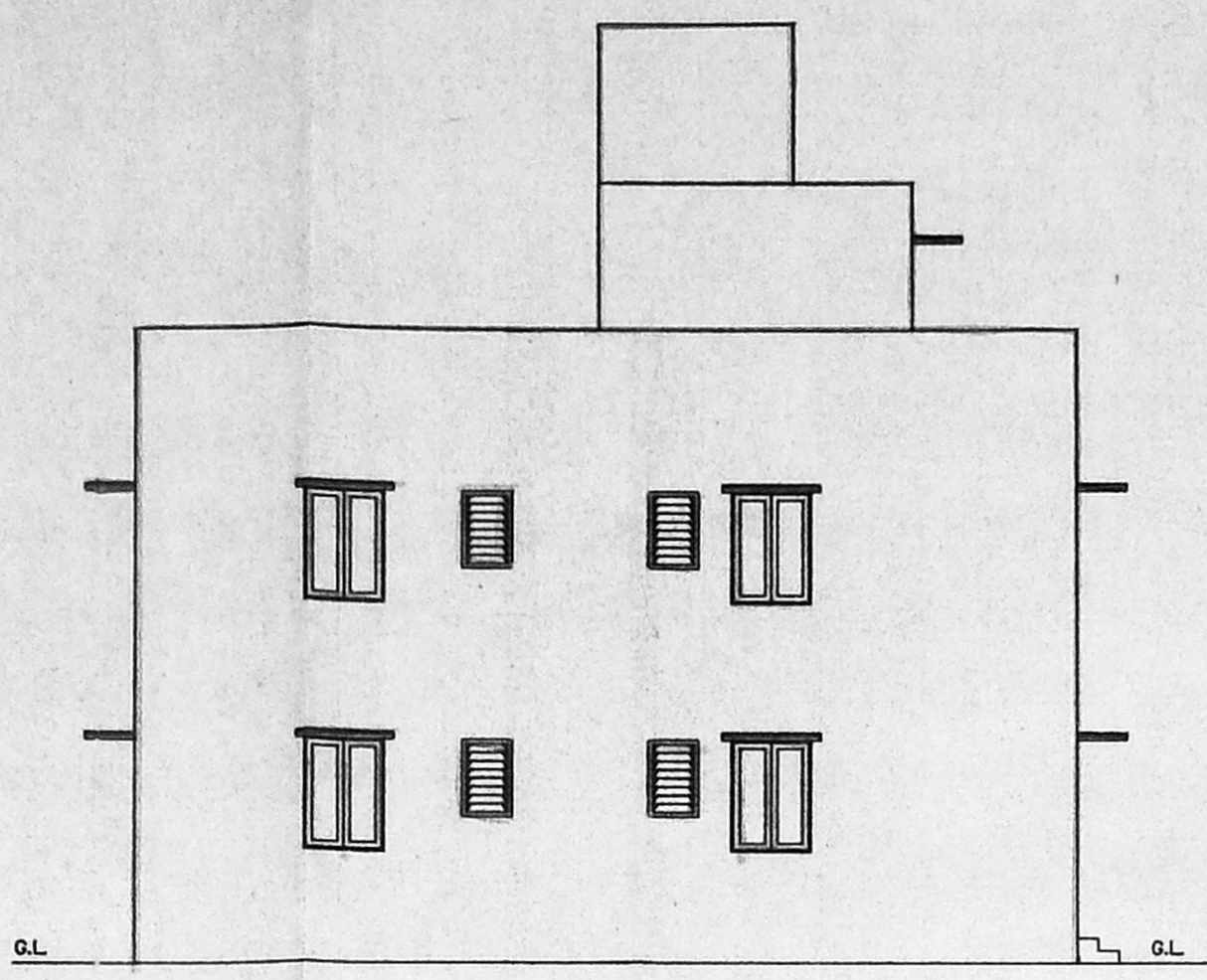
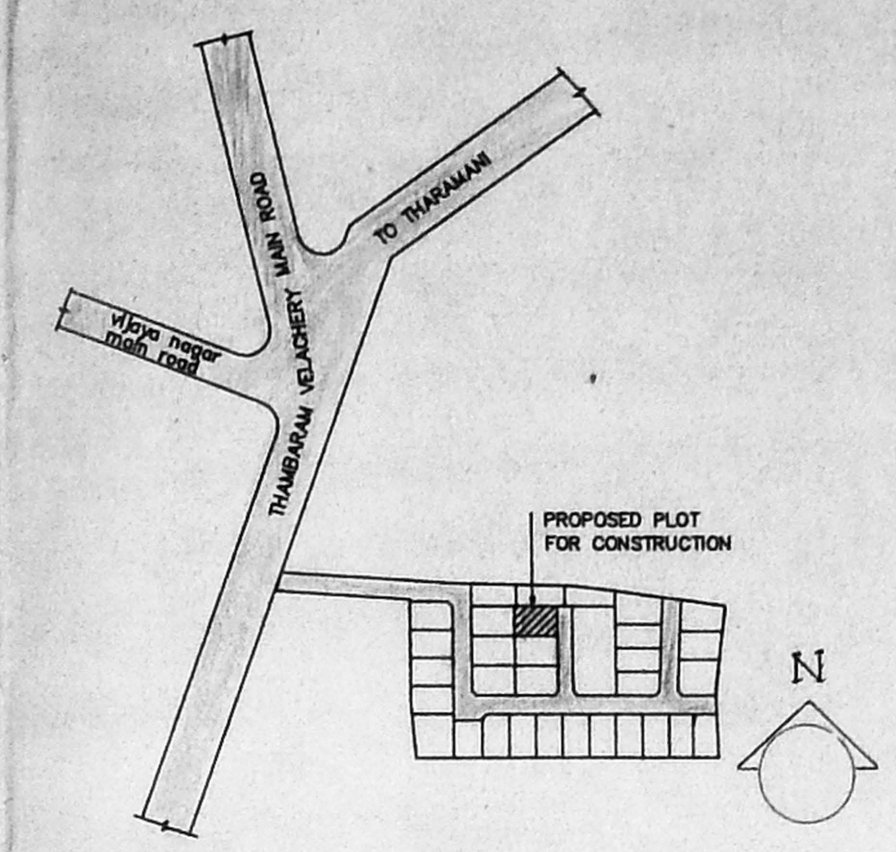


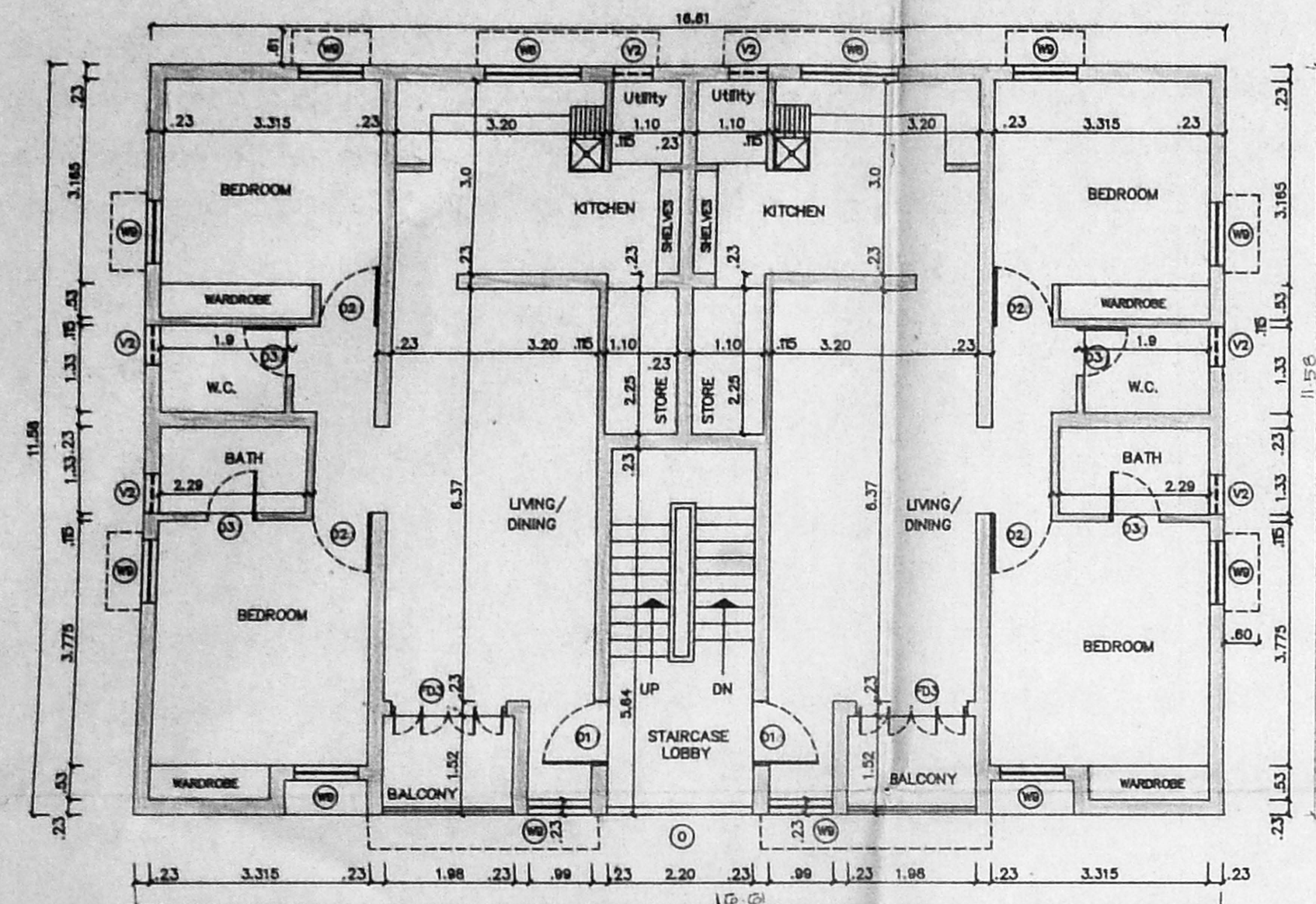
SECTION - KK



ELEVATION



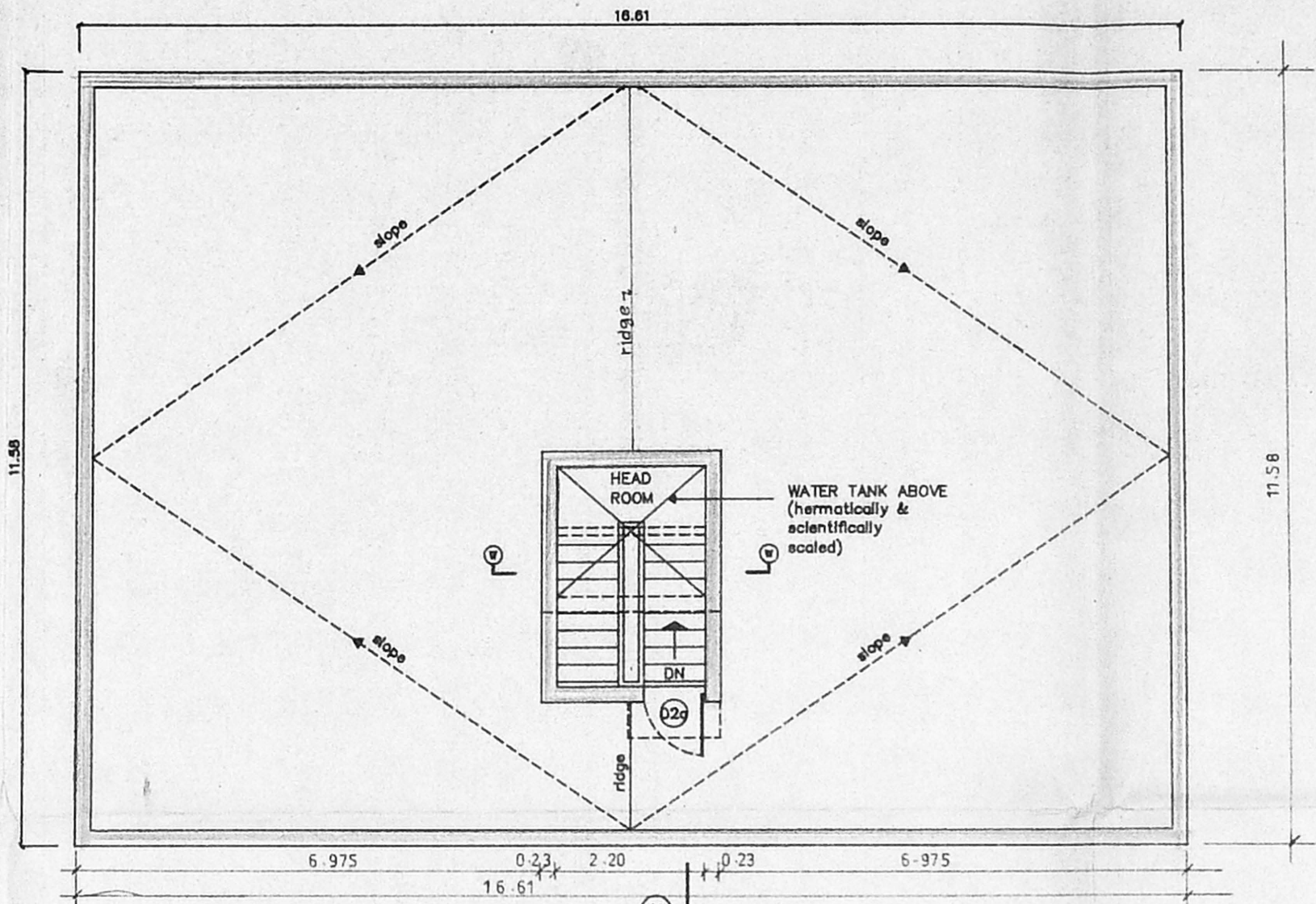
KEY PLAN
(not to scale)



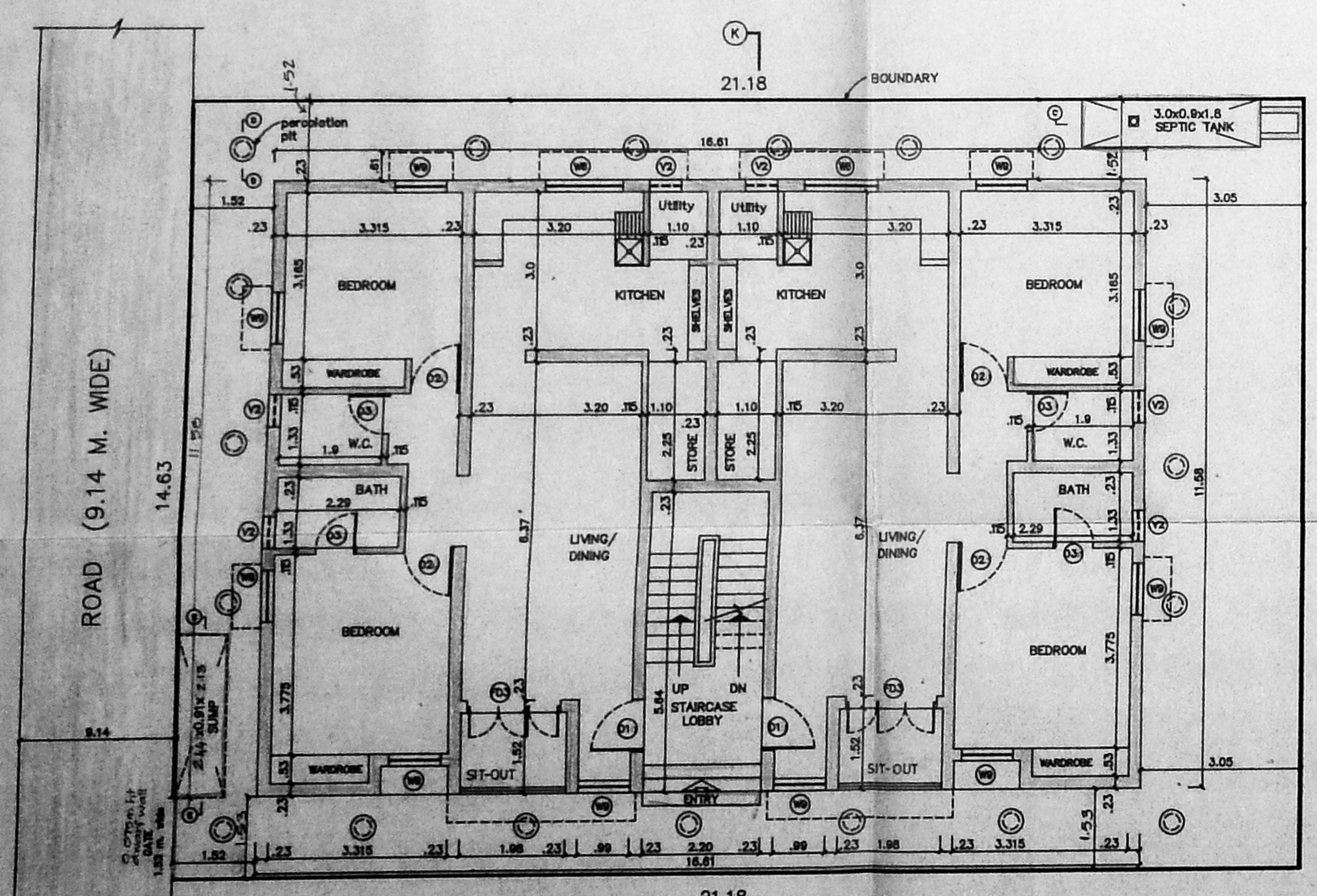
FIRST FLOOR PLAN

N/24109/49/97
APPROVED
 SUBJECT TO THE CONDITIONS IN THIS OFFICE LETTER.
 A/23498/96 Date: 28/1/97
 FOR MEMBER SECRETARY
 MADRAS METROPOLITAN
 DEVELOPMENT AUTHORITY
 MADRAS - 600 008.

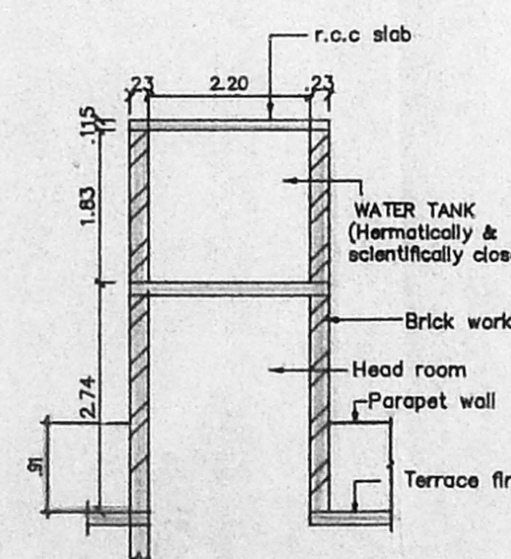
28/1/97 28/1/97



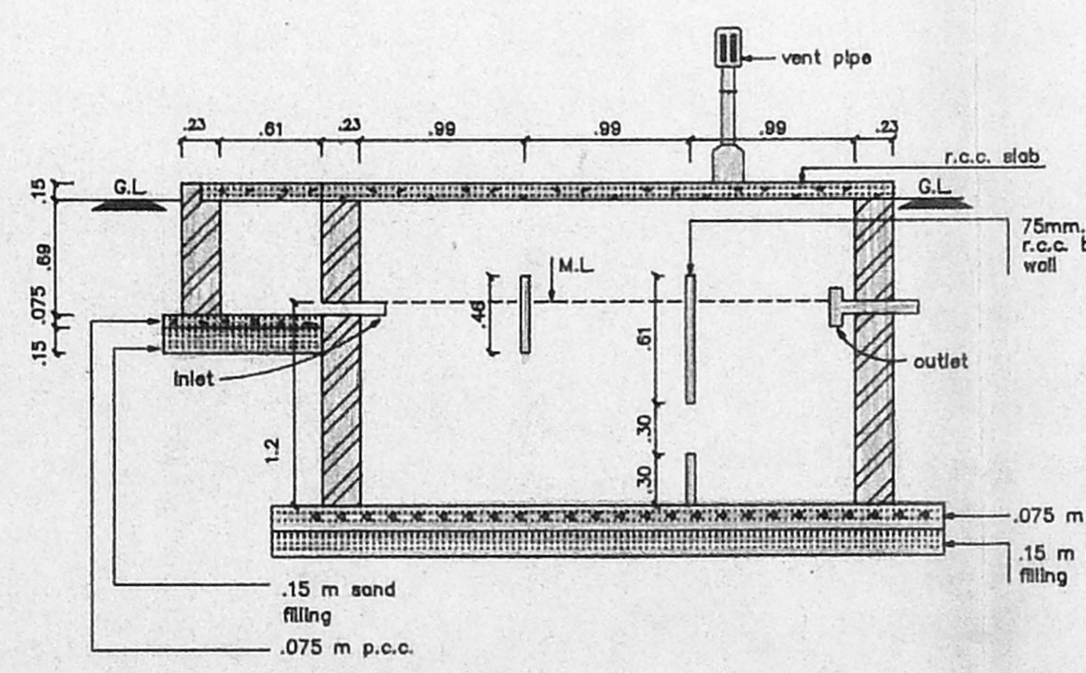
TERRACE PLAN



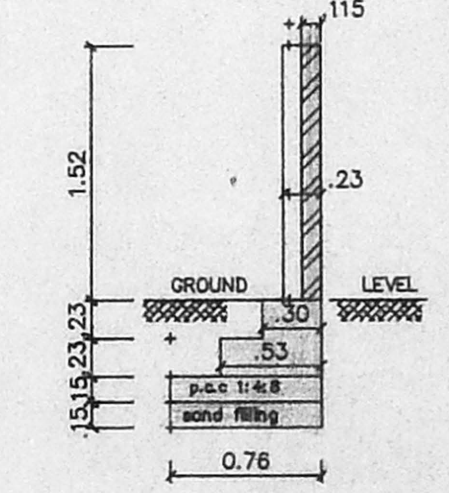
GROUND FLOOR PLAN



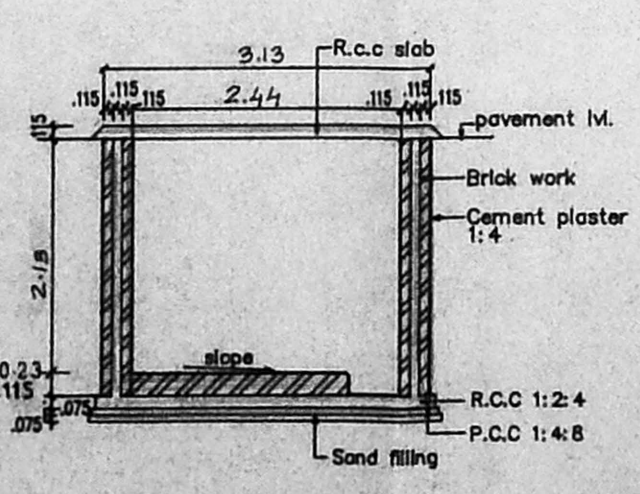
SECTION WW
SECTION OF WATER TANK
SCALE 1:100



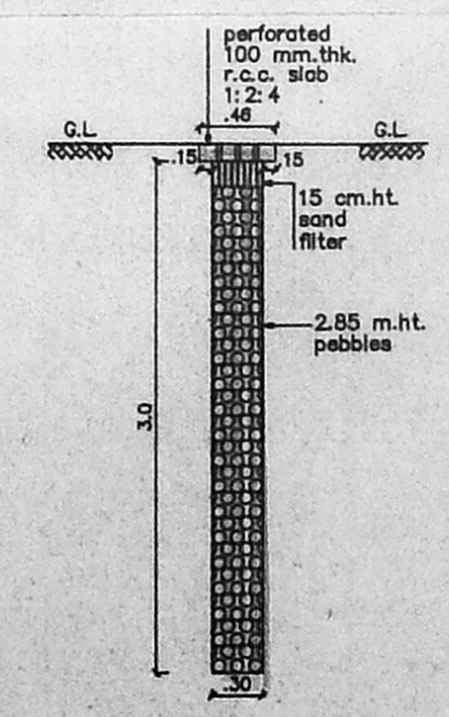
SECTION - CC
SECTION OF SEPTIC TANK
SCALE 1:100



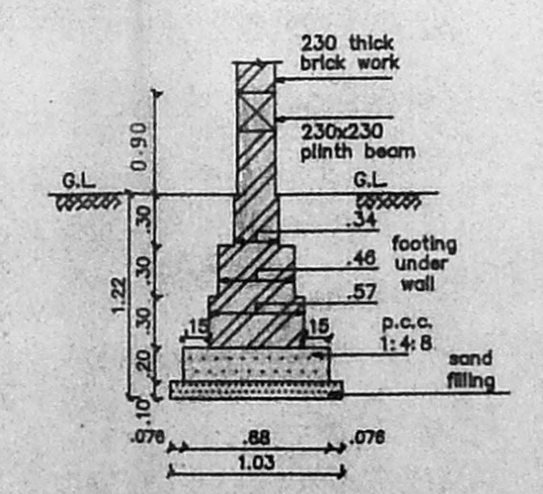
SECTION OF COMPOUND WALL
SCALE 1:50



SECTION SS
SECTION OF SUMP
SCALE 1:100



SECTION - DD
PERCOLATION PIT
SCALE 1:50



SECTION OF FOUNDATION
SCALE 1:50

LEGEND		
CODE	SIZE	DESCRIPTION
FD3	1.752 x 1.981	COUNTRY WOOD FRAMED FRENCH DOOR (painted)
D1	0.99 x 1.981	TEAK WOOD FRAMED FLUSH DOOR
D2	0.91 x 1.981	COUNTRY WOOD FRAMED FLUSH DOOR
D3	0.76 x 1.981	COUNTRY WOOD FRAMED FLUSH DOOR
WB	1.475 x 0.875	STEEL GLAZED WINDOW
WB	0.975 x 1.37	STEEL GLAZED WINDOW
V2	0.61 x 0.94	STEEL GLAZED VENTILATOR
O	2.20 x 1.07	OPENING

SPECIFICATION	
SL.NO	DESCRIPTION
1.	P.C.C. 1:4:8 IN FOUNDATION
2.	SAND FILLING IN FOUNDATION
3.	BRICK WORK IN C.M. 1:6
4.	R.C.C. WORK FOR SLABS, LINTELS & BEAMS Etc.,
5.	PLASTERING IN C.M. 1:5 EXTERNAL & 1:4 INTERNAL
6.	MOSAIC TILED FLOORING.
7.	WEATHERING COURSE OF BRICK JELLY LIME CONC.
8.	CONCRETE BLOCK INFILL

AREA STATEMENT	
PLOT AREA	309.92 M ²
BUILT UP AREA	384.6876 M ²

COLOUR INDEX	
PROPOSED CONSTRUCTION	
BOUNDARY OF SITE	
ROAD	

R.No	DATE	REVISIONS	INITIAL
1	124 179 M	05-02-94	1:100
	DRG No:	DATE	SCALE
		FILE	DRAWN
		CHECKED	

PROPOSED CONSTRUCTION OF DWELLING UNITS IN PLOT No : 21, L.A. No 3/95 Dtd 5.6.95 AT SURVEY Nos. 249/3, 250/2, 250/3, 251/5, 254/4 & 328/1, (VILLAGE - VELACHERY VELACHERY, TAMBARAM ROAD MADRAS - 600 042. TALUK : MAMBALAM - GUINDY, CORP. DIV. NO : 153 ZONE X

OWNER'S SIGNATURE

 L.S. No : 306 96/97

LICENSED SURVEYOR